

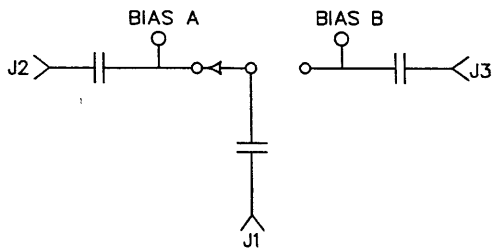
## DESCRIPTION

AMC MODEL SWN-218-2A OPTION: 218, B02 IS A SINGLE POLE TWO THROW ABSORPTIVE/NON-REFLECTIVE SWITCH MODULE DESIGNED TO OPERATE OVER THE FULL 2 TO 18 GHz FREQUENCY RANGE WITH AN INSERTION LOSS OF 3.5 dB MAXIMUM, ISOLATION OF 70 dB MINIMUM AND VSWR OF 2.0:1.

## SPECIFICATIONS

- FREQUENCY RANGE: ..... 2 TO 18 GHz
- INSERTION LOSS: ..... 3.5 dB MAXIMUM
- ISOLATION: ..... 70 dB MINIMUM
- VSWR: ..... 2.0:1
- RISE TIME: ..... 10 nSec TYPICAL, 15 nSec MAXIMUM
- FALL TIME: ..... 10 nSec TYPICAL, 15 nSec MAXIMUM
- DELAY ON: ..... 75 nSec TYPICAL, 100 nSec MAXIMUM
- DELAY OFF: ..... 75 nSec TYPICAL, 100 nSec MAXIMUM
- POWER INPUT: ..... (CW)+20 dBm (STANDARD), +10 dBm (HIGH SPEED)
- SURVIVAL POWER: ..... 1 WATT CW, 10 WATTS PEAK 1 uSec
- CONTROL: ..... TTL LOGIC "0" = J1-J2 ON  
TTL LOGIC "1" = J1-J3 ON
- POWER SUPPLY: ..... +5V @ 100 mA MAXIMUM  
-15V @ 100 mA MAXIMUM
- CONNECTORS:  
RF: ..... SMA FEMALE  
CONTROL: ..... SOLDER PIN
- SIZE: ..... 1.20" (L) x 1.00" (W) x 0.50" (H)
- WEIGHT: ..... 1.5 OUNCE TYPICAL

BLOCK DIAGRAM



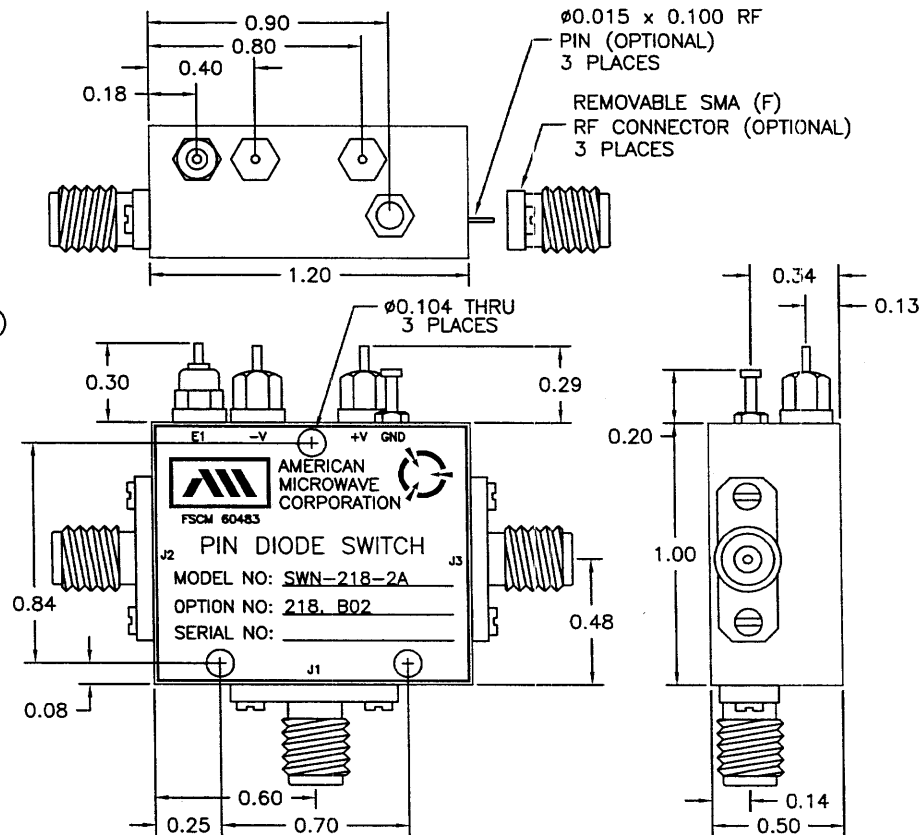
## ENVIRONMENTAL RATINGS

- TEMPERATURE: ..... -55°C TO +85°C (OPERATING)  
-65°C TO +125°C (STORAGE)
- HUMIDITY: ..... MIL-STD-202F, METHOD 103B COND. B
- SHOCK: ..... MIL-STD-202F, METHOD 213B COND. B
- VIBRATION: ..... MIL-STD-202F, METHOD 204D COND. B
- ALTITUDE: ..... MIL-STD-202F, METHOD 105C COND. B
- TEMPERATURE CYCLE: ..... MIL-STD-202F, METHOD 107D COND. A

NOTE: SPECIFICATIONS WILL VARY OVER OPERATING TEMPERATURE  
NOTE: THE ABOVE SPECIFICATIONS ARE SUBJECT TO CHANGE OR REVISION

ALL DIMENSIONS ARE IN INCHES  
TOLERANCES:  
X.XX ±0.020  
X.XXX ±0.010

ZONE		REV.	DESCRIPTION	DATE	APPROVED
-		-	ORIGINAL RELEASE JOB# 411263	12/6/04	BSC



## AMERICAN MICROWAVE CORPORATION

7311-G GROVE ROAD  
FREDERICK, MARYLAND 21704 USA  
TEL: 301-662-4700 FAX: 301-662-4938  
WEBSITE: [www.americanmicrowavecorp.com](http://www.americanmicrowavecorp.com)  
E-MAIL: [sales@americanmicrowavecorp.com](mailto:sales@americanmicrowavecorp.com)  
ISO 9001:2000 CERTIFIED

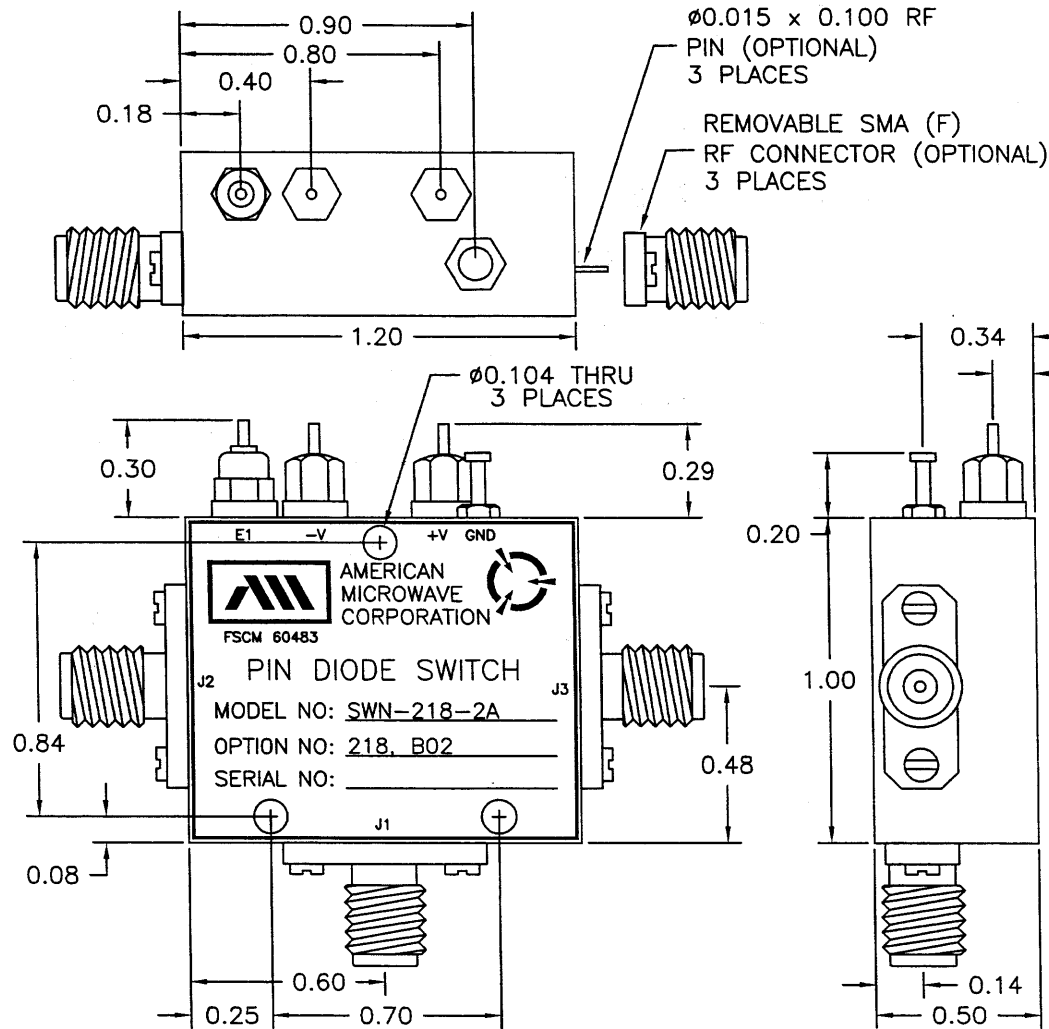


APPROVALS		DATE	TITLE			
DRAWN <i>JDJ</i>		12/6/04	PRODUCT FEATURE SWN-218-2A OPTION: 218, B02 2 - 18 GHz, SINGLE POLE TWO THROW SWITCH			
CHECKED <i>[Signature]</i>	12/6/04	SIZE A	FSCM NO. 60483	DWG NO. 100-7217	REV. -	
ISSUED		SCALE N:S	SHEET 1 OF 3			

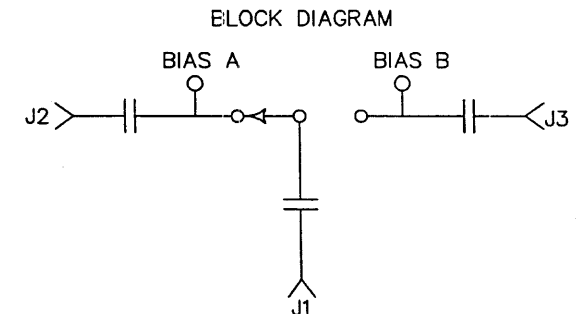
# DESCRIPTION

AMC MODEL SWN-218-2A OPTION: 218, B02 IS A SINGLE POLE TWO THROW ABSORPTIVE/NON-REFLECTIVE SWITCH MODULE DESIGNED TO OPERATE OVER THE FULL 2 TO 18 GHz FREQUENCY RANGE WITH AN INSERTION LOSS OF 3.5 dB MAXIMUM, ISOLATION OF 70 dB MINIMUM AND VSWR OF 2.0:1.

REVISIONS				
ZONE	REV.	DESCRIPTION	DATE	APPROVED
-	-	ORIGINAL RELEASE JOB# 411263	12/6/04	



## MECHANICAL OUTLINE



ALL DIMENSIONS ARE IN INCHES  
 TOLERANCES:  
 X.XX ±0.020  
 X.XXX ±0.010

**AMERICAN MICROWAVE CORPORATION**  
 7311-G GROVE ROAD  
 FREDERICK, MARYLAND 21704 USA  
 TEL: 301-662-4700 FAX: 301-662-4938  
 WEBSITE: [www.americannmicrowavecorp.com](http://www.americannmicrowavecorp.com)  
 E-MAIL: [sales@americannmicrowavecorp.com](mailto:sales@americannmicrowavecorp.com)  
 ISO 9001:2000 CERTIFIED



APPROVALS		DATE	TITLE		
DRAWN	JDF	12/6/04	MECHANICAL OUTLINE SWN-218-2A OPTION: 218, B02 2 - 18 GHz, SINGLE POLE TWO THROW SWITCH		
CHECKED	[Signature]	12/16/04	SIZE	FSCM NO.	DWG NO.
ISSUED			A	60483	100-7217
			SCALE	SHEET	
			N:S	2 OF 3	